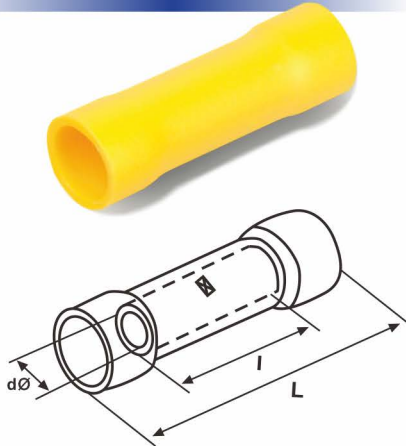


Preinsulated Terminals

PVC Insulated Butt Splice Connector

OUMO PUBLISH



Specifications	Section of lead		Dimension(mm)			Max current	Color	Code No.
	A.W.G	mm ²	l	dØ	L			
BV1.25	22-16	0.5-1.5	15	1.7	26	19A	red	OMU-BV-001
BV2	16-14	1.5-2.5	15	2.3	26	27A	blue	OMU-BV-002
BV5.5	12-10	4-6	15	3.4	26	48A	yellow	OMU-BV-003
BV8	#8	6-10	21	4.5	32	62A	red	OMU-BV-004
BV14	#6	10-16	26	5.8	42	88A	blue	OMU-BV-005
BV22	#4	16-25	29	7.7	50	115A	yellow	OMU-BV-006
BV38	#2	35-50	32	9.4	55	160A	red	OMU-BV-007