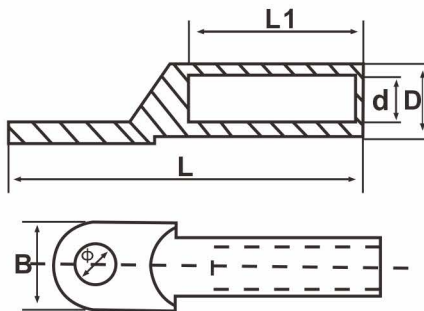
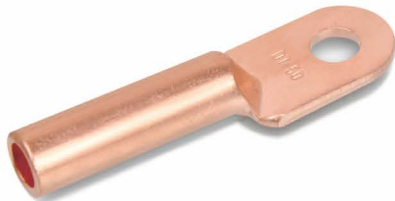


Electric Power Fittings

Copper Cable Terminals Non-Isolated - DT Type

OUMO PUBLISH



Specifications	Dimensions(mm)						Code No.
	Φ	D	d	L	L1	B	
DT-10	8.5	9	5.3	62	28	16	OMU-DT-001
DT-16	8.5	10	6.5	68	30	16	OMU-DT-002
DT-25	8.5	11	7	70	33	18	OMU-DT-003
DT-35	10.5	12	8.5	80	36	20.5	OMU-DT-004
DT-50	10.5	14	9.5	85	38	23	OMU-DT-005
DT-70	12.5	16	11.5	95	43	26	OMU-DT-006
DT-95	12.5	18	13.5	104	46	28	OMU-DT-007
DT-120	14.5	20	15	112	49	30	OMU-DT-008
DT-150	14.5	22	16.5	120	51	34	OMU-DT-009
DT-185	16.5	25	18.5	125	55	37	OMU-DT-010
DT-240	16.5	27	21	136	60	40	OMU-DT-011
DT-300	18	31	23.5	155	66	45	OMU-DT-012
DT-400	21	34	26.5	170	75	50	OMU-DT-013
DT-500	21	38	29	190	75	60	OMU-DT-014
DT-630	21	45	35	220	85	80	OMU-DT-015
DT-800	21	50	38	260	85	100	OMU-DT-016

These products are suitable for the conjunction of wire, cables in the distribution equipment and the electrical equipment. DT model copper cable lug is made of higher 99.9 percents pure copper bar(T2).