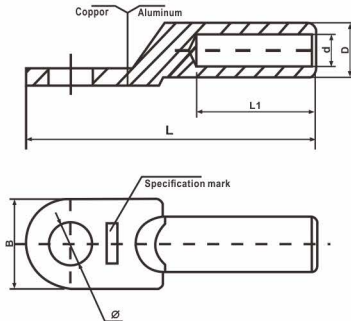


Electric Power Fittings

Bimetallic Cable Terminals -DTL-1 Type

OUMO PUBLISH



Specifications	Dimensions(mm)						Code No.
	Φ	D	d	L	L1	B	
DTL-1-10	8.5	10	6	68	28		OMU-DTL-1-001
DTL-1-16	8.5	11	6	70	30	16	OMU-DTL-1-002
DTL-1-25	8.5	12	7	75	34	18	OMU-DTL-1-003
DTL-1-35	10.5	14	8.5	85	38	20.5	OMU-DTL-1-004
DTL-1-50	10.5	16	9.8	90	40	23	OMU-DTL-1-005
DTL-1-70	12.5	18	11.5	102	48	26	OMU-DTL-1-006
DTL-1-95	12.5	21	13.5	112	50	28	OMU-DTL-1-007
DTL-1-120	14.5	23	15	120	53	30	OMU-DTL-1-008
DTL-1-150	14.5	25	16.5	126	56	34	OMU-DTL-1-009
DTL-1-185	16.5	27	18.5	133	58	37	OMU-DTL-1-010
DTL-1-240	16.5	30	21	140	60	40	OMU-DTL-1-011
DTL-1-300	21	34	23.5	160	65	50	OMU-DTL-1-012
DTL-1-400	21	38	27	170	70	50	OMU-DTL-1-013
DTL-1-500	21	47	29	225	75	60	OMU-DTL-1-014
DTL-1-630	21	54	35	245	80	80	OMU-DTL-1-015
DTL-1-800	21	60	38	270	90	100	OMU-DTL-1-016

DTL-1 series copper-aluminium cable lug are suitable for transition connection of the circular aluminium, hemicircle-sector aluminium wires, power supply cables in the distribution equipment. The material of aluminium and copper is L3 and T2 respectively. The technology of friction welding is wonderfully adopted. Therefore they have features of strong weld intensity, good nature in electrification resistant galvanic corrosion and long service life.