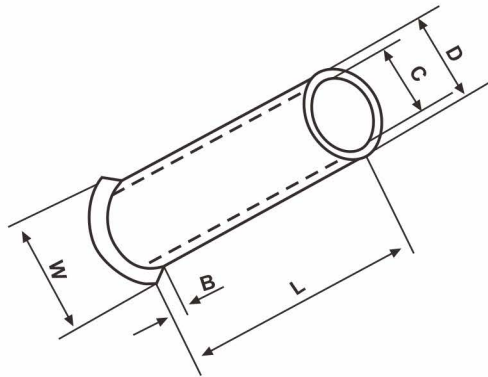


Preinsulated Terminals

Non-Insulated Cord End Sleeves

OUMO PUBLISH



Specifications	Dimension(mm)				Section of lead		Code No.
	L	D	C	W	A.W.G	mm ²	
EN0506	6	1.3	1	2.1	#22	0.5	OMU-EN-001
EN7506	6	1.5	1.2	2.5	#20	0.75	OMU-EN-002
EN1006	6	1.7	1.4	2.7	#18	1	OMU-EN-003
EN1010	10		OMU-EN-004				
EN1507	7	2	1.7	3.5	#16	1.5	OMU-EN-005
EN1510	10		OMU-EN-006				
EN2507	7	2.5	2.2	2.5	#14	2.5	OMU-EN-007
EN2512	12		OMU-EN-008				
EN4009	9	3.2	2.8	4	#12	4	OMU-EN-009
EN4012	12		OMU-EN-010				
EN6010	10	3.9	3.5	4.8	#10	6	OMU-EN-011
EN6012	12						OMU-EN-012
EN6015	15						OMU-EN-013
EN10-12	12	4.9	4.5	5.8	#7	10	OMU-EN-014
EN10-15	15						OMU-EN-015
EN10-18	18						OMU-EN-016
EN16-12	12	6.2	5.8	7.5	#5	16	OMU-EN-017
EN16-15	15						OMU-EN-018
EN16-18	18						OMU-EN-019
EN25-16	16	7.9	7.5	9.2	#4	25	OMU-EN-020
EN25-22	22						OMU-EN-021
EN35-16	16	8.7	8.3	10	#2	35	OMU-EN-022
EN35-25	25						OMU-EN-023
EN50-20	20	10.9	10.3	12.4	#1	50	OMU-EN-024
EN50-25	25						OMU-EN-025