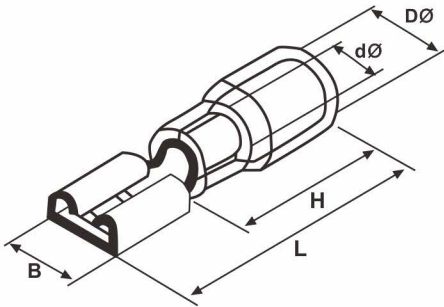


Preinsulated Terminals

PVC Insulated Female Lug

OUUMO PUBLISH



Specifications	NEMATAB mm	Thickness mm	Dimension					Remark	Code No.
			B mm	dØ mm	DØ mm	L mm	H mm		
FDD1.25-110(5)	0.5x2.8	0.3	3.8	1.7	3.8	19	10 Material:Copper,PVC Wire range:0.5~1.5mm ²	OMU-FDD-001	
FDD1.25-110(8)	0.8x2.8	0.3	3.8	1.7	3.8	19		OMU-FDD-002	
FDD1.25-187(5)	0.5x4.75	0.35	5.6	1.7	3.8	19		OMU-FDD-003	
FDD1.25-187(8)	0.8x4.75	0.35	5.6	1.7	3.8	19		OMU-FDD-004	
FDD1.25-205	0.5x5.2	0.35	6.5	1.7	3.8	20		OMU-FDD-005	
FDD1.25-250	0.8x6.35	0.4	7.4	1.7	3.8	21		OMU-FDD-006	
FDD2-110(5)	0.5x2.8	0.3	3.8	2.3	4.3	19	10 Material:Copper,PVC Wire range:1.5~2.5mm ²	OMU-FDD-007	
FDD2-110(8)	0.8x2.8	0.3	3.8	2.3	4.3	19		OMU-FDD-008	
FDD2-187(5)	0.5x4.75	0.35	5.6	2.3	4.3	19		OMU-FDD-009	
FDD2-187(8)	0.8x4.75	0.35	5.6	2.3	4.3	19		OMU-FDD-010	
FDD2-205	0.5x5.2	0.35	6.5	2.3	4.3	20		OMU-FDD-011	
FDD2-250	0.8x6.35	0.4	7.4	2.3	4.3	21		OMU-FDD-012	
FDD2-312	0.8x8.0	0.4	9	2.3	4.3	23	OMU-FDD-013		
FDD5.5-187	0.5x4.75	0.4	5.6	3.4	5.7	23	14 Material:Copper,PVC Wire range:4~6mm ²	OMU-FDD-014	
FDD5.5-250	0.5x6.35	0.4	7.4	3.4	5.7	25		OMU-FDD-015	
FDD5.5-312	0.8x8.0	0.5	9	3.4	5.7	27		OMU-FDD-016	
FDD5.5-375	0.8x9.4	0.5	10.9	3.4	5.7	29.6		OMU-FDD-017	